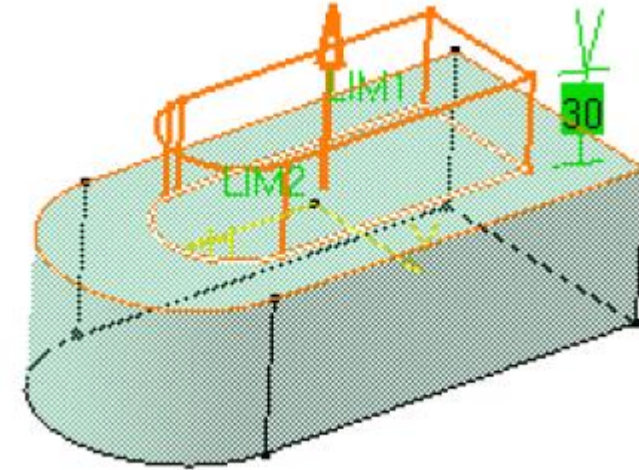
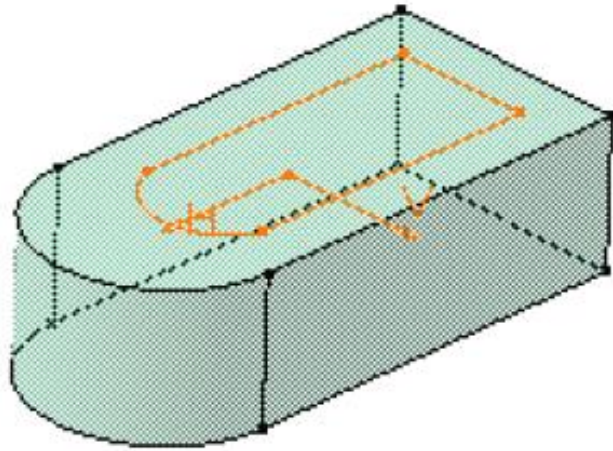


# المحاضرة السابعة

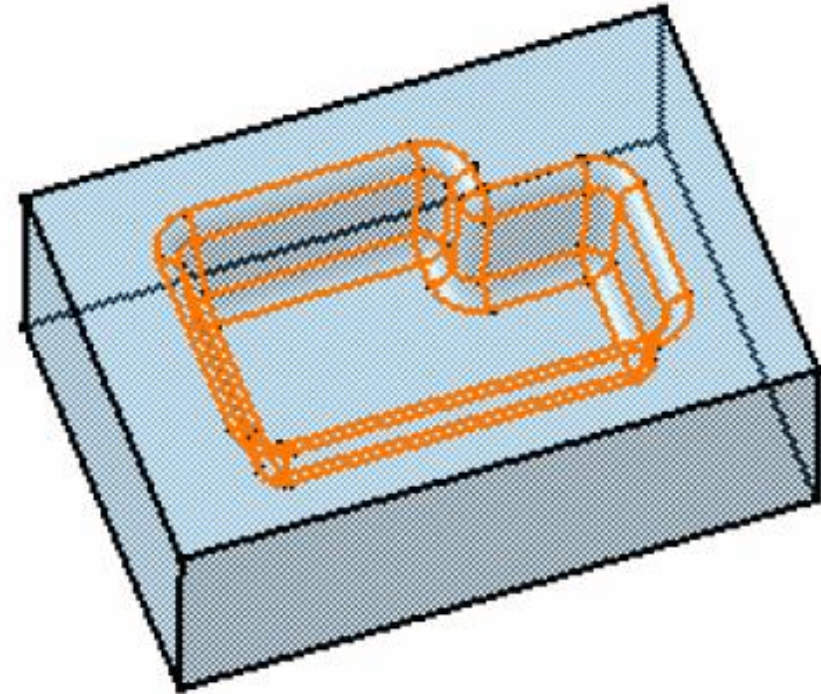
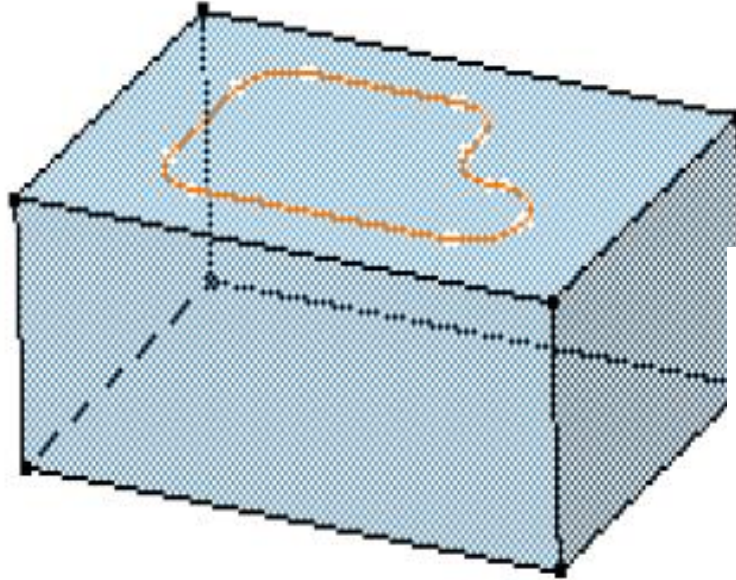
## التصميم بمساعدة الحاسب



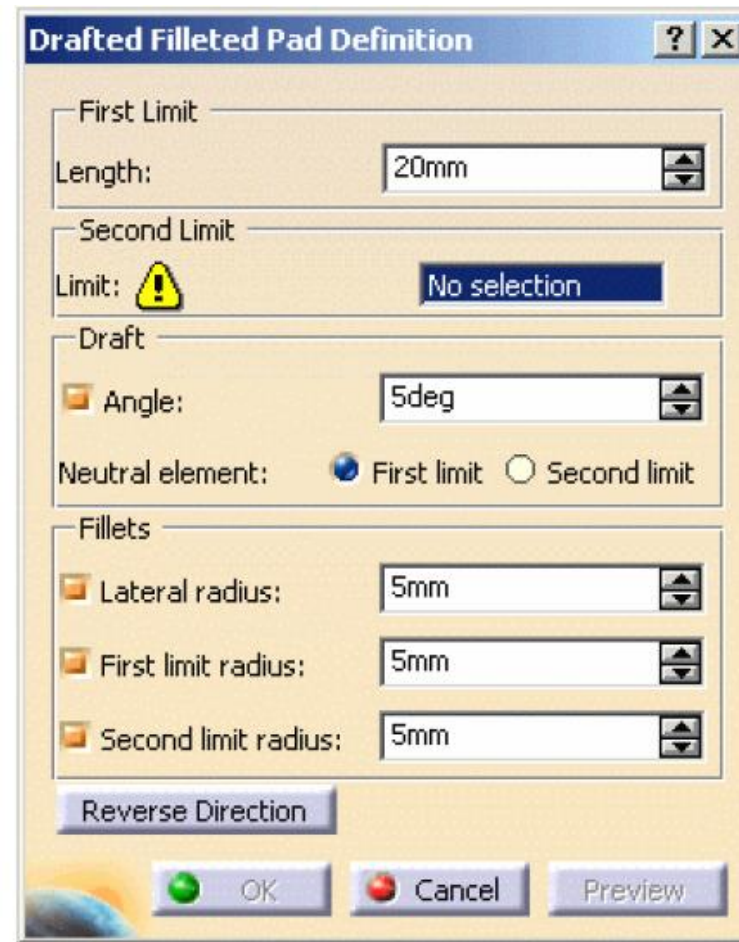
## Pad تعلية اعطاء السماكة



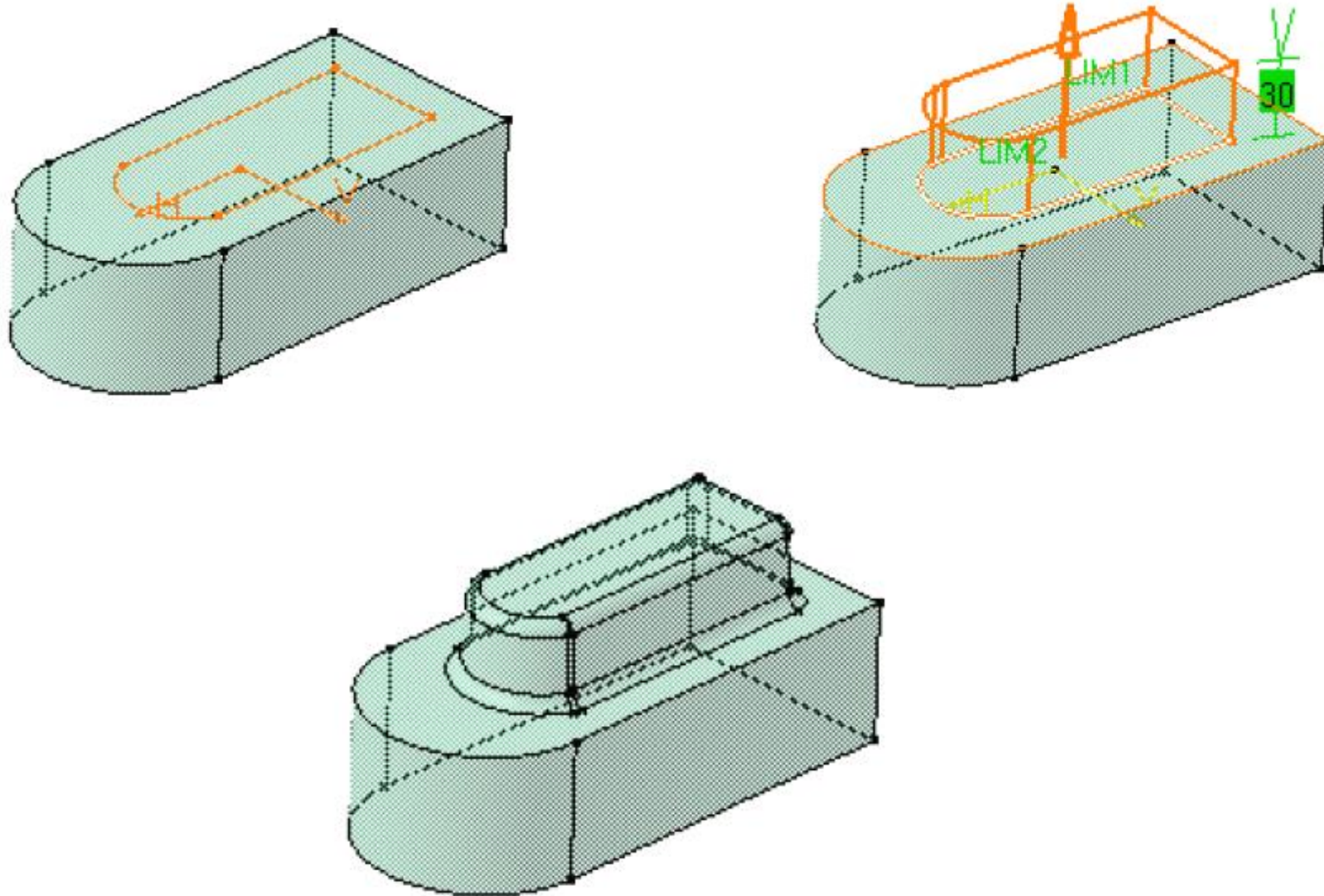
## Pocket تعليمة تفريغ أو التحويف



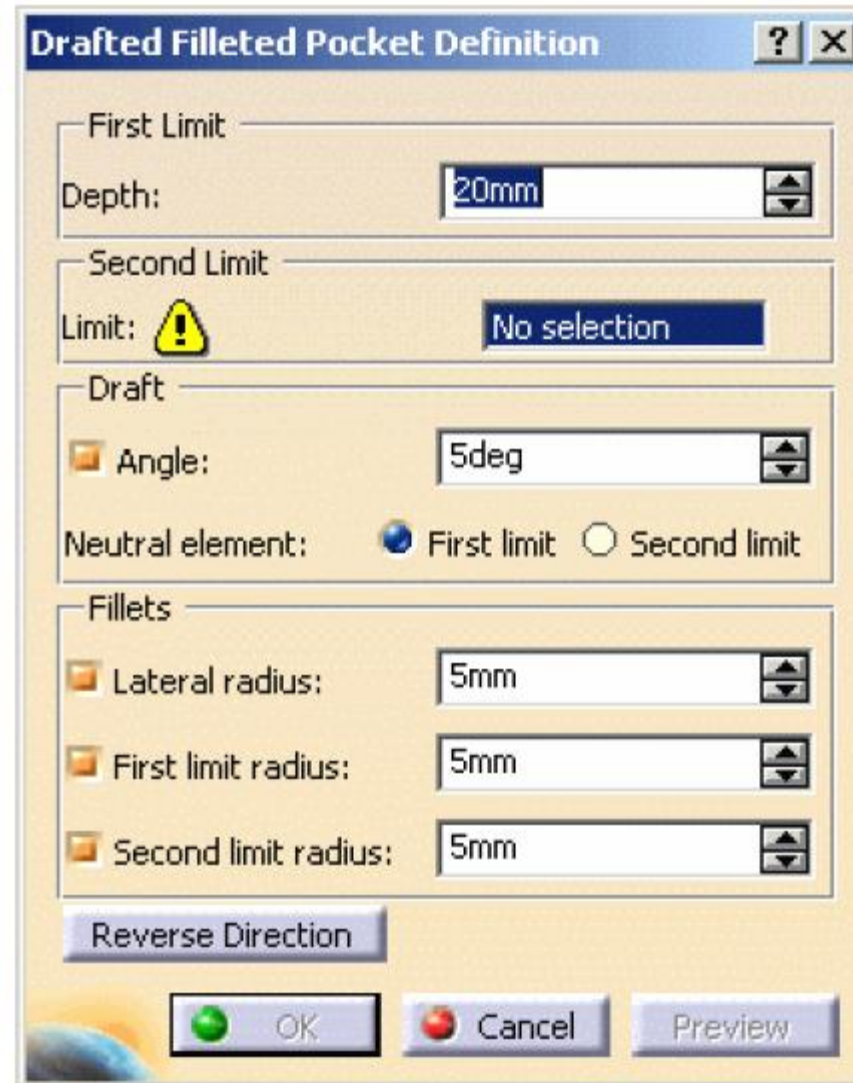
# Creating Drafted Filleted Pads

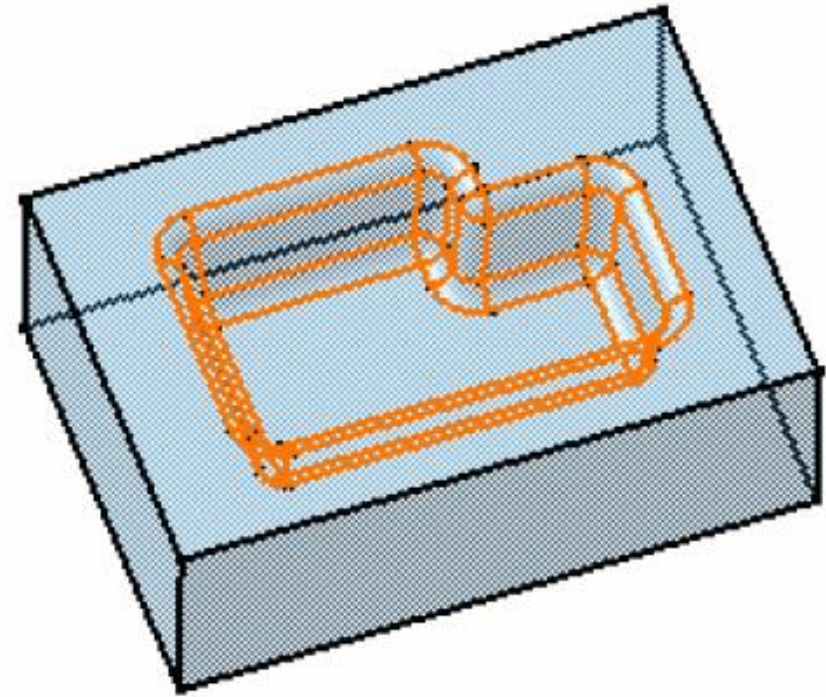
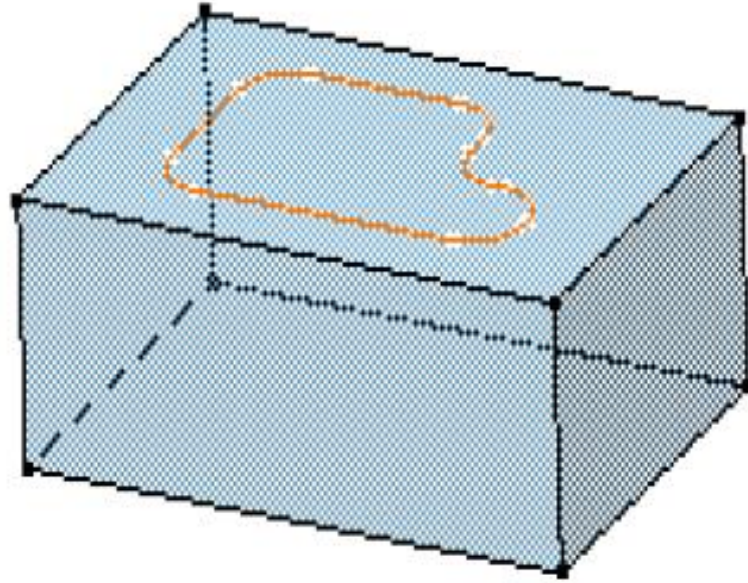




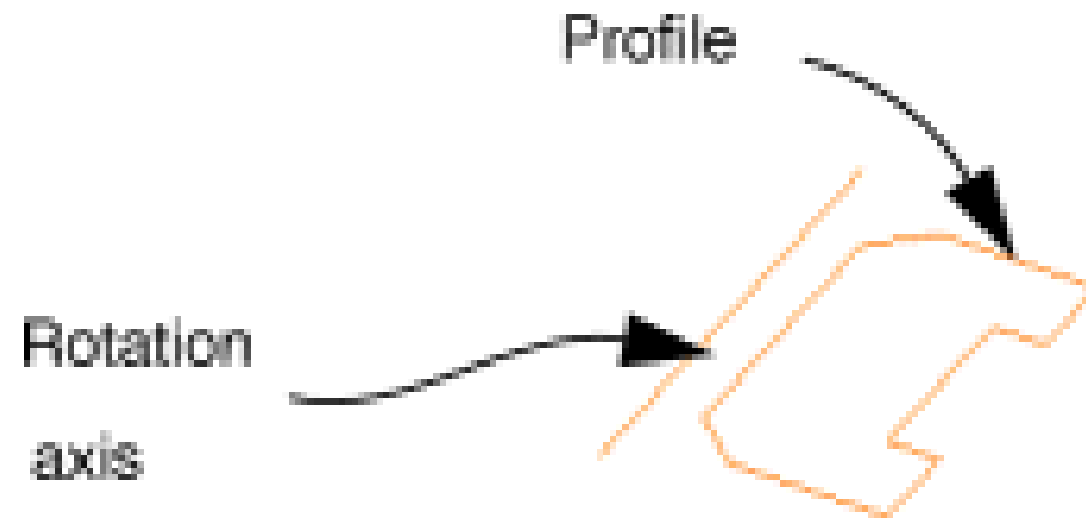


# Creating Drafted Filleted Pockets

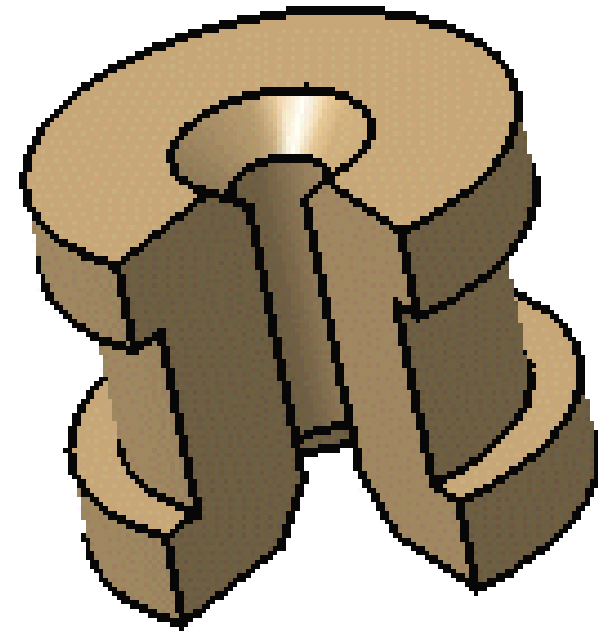
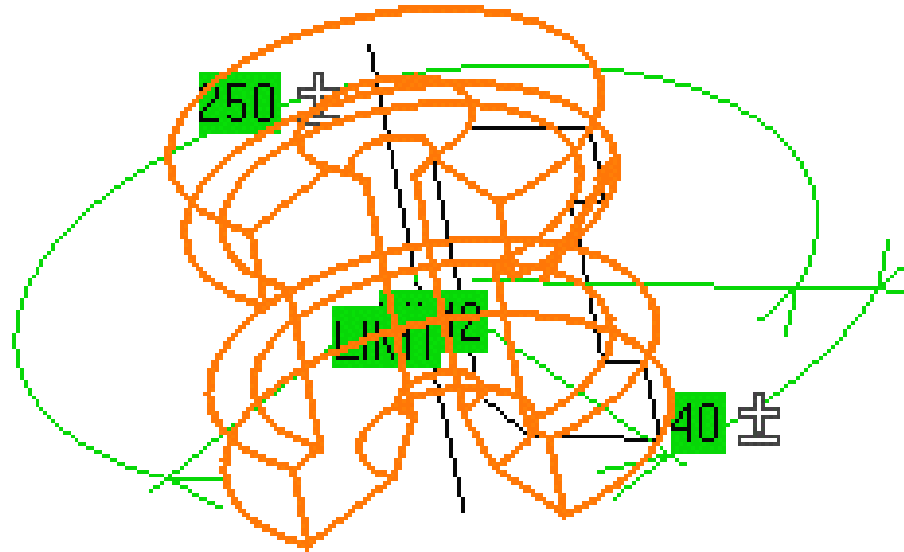




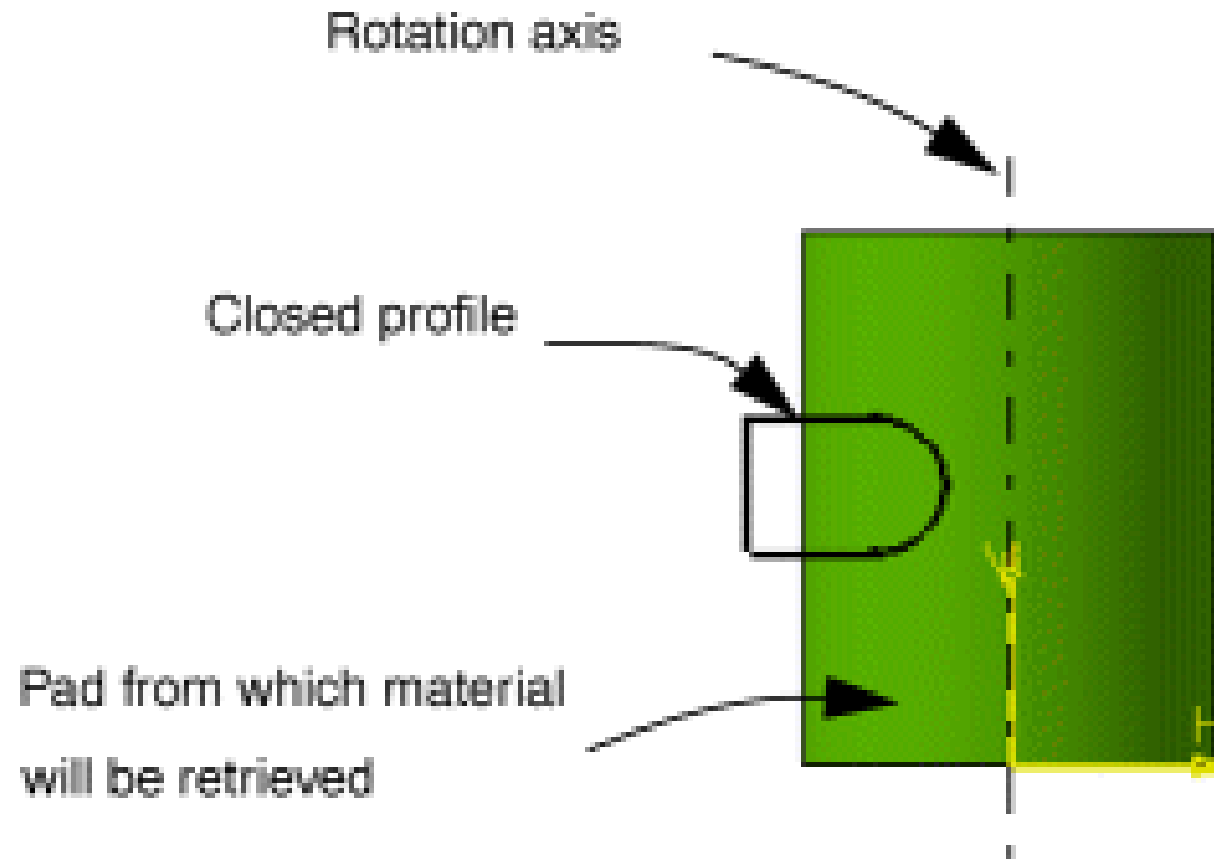
# Shaft

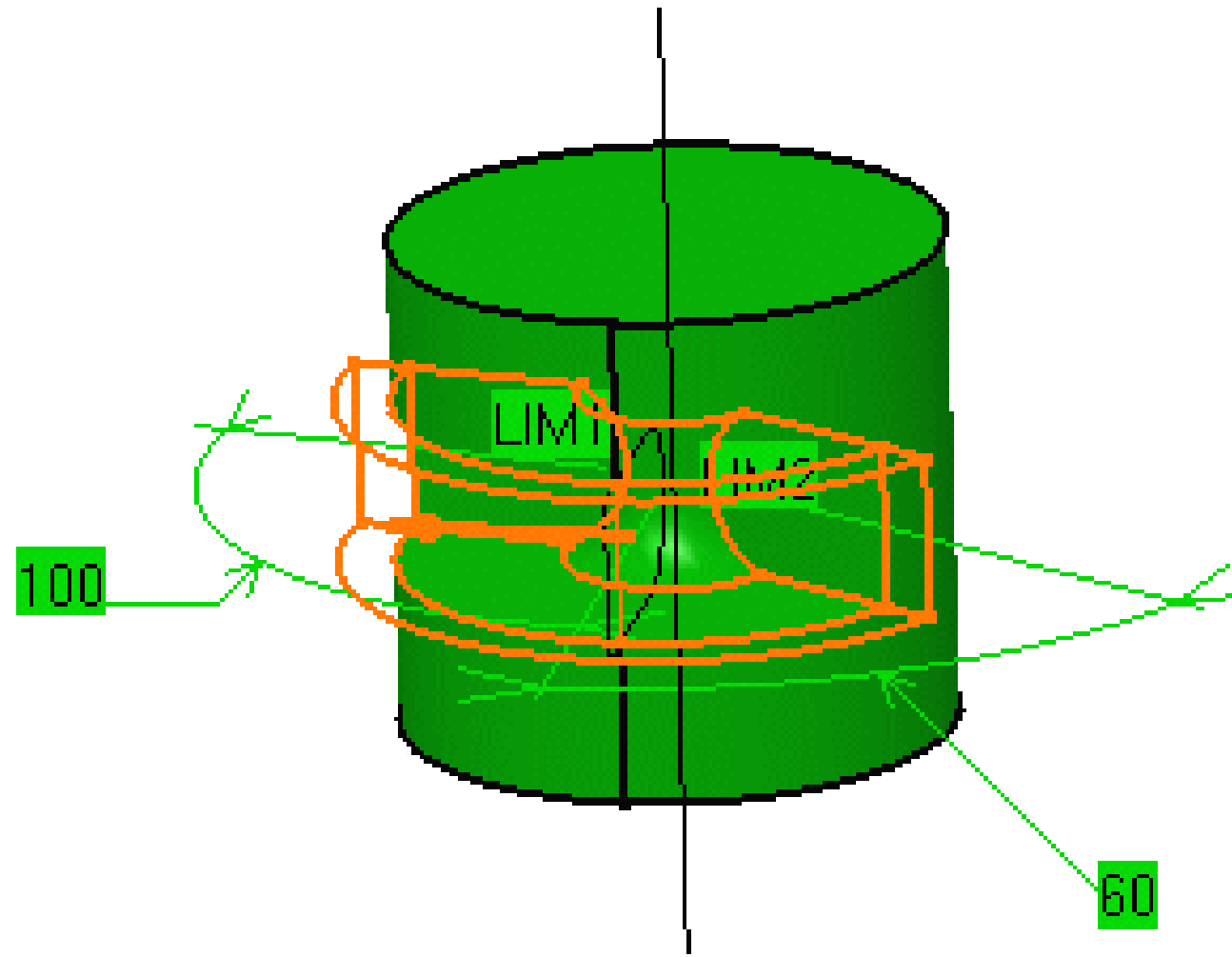




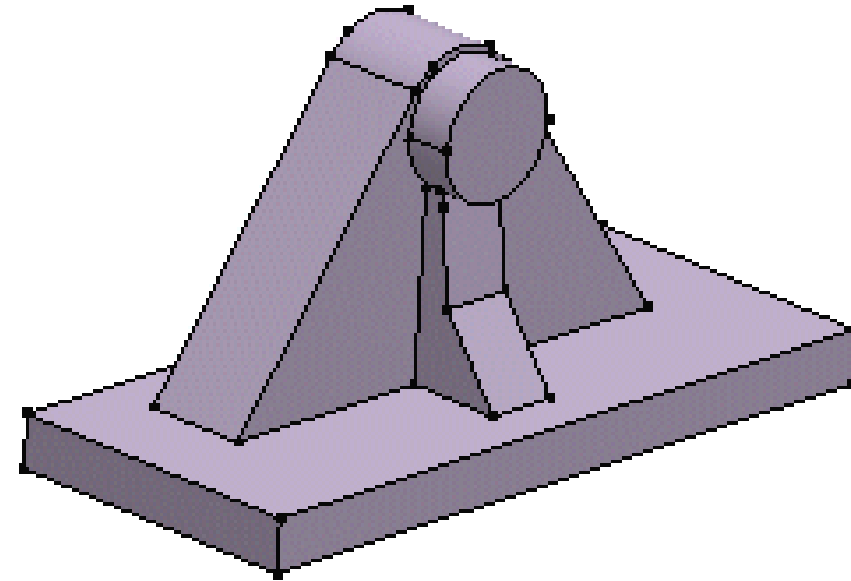
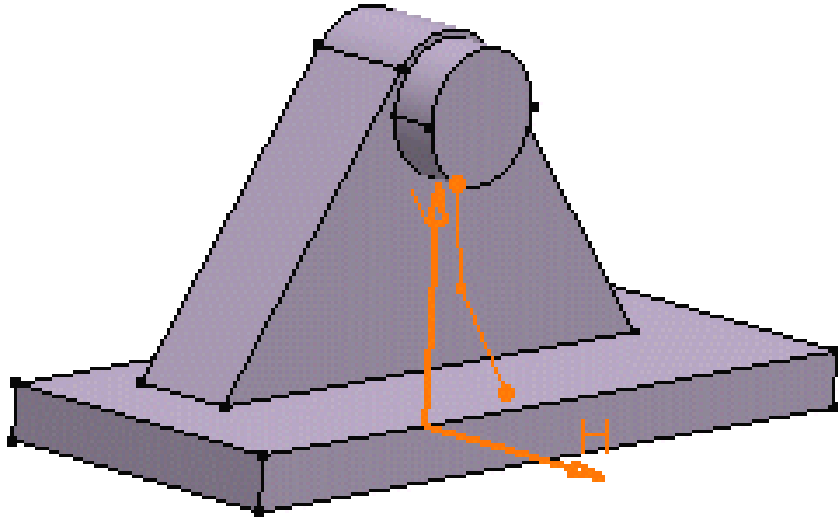


# Groove



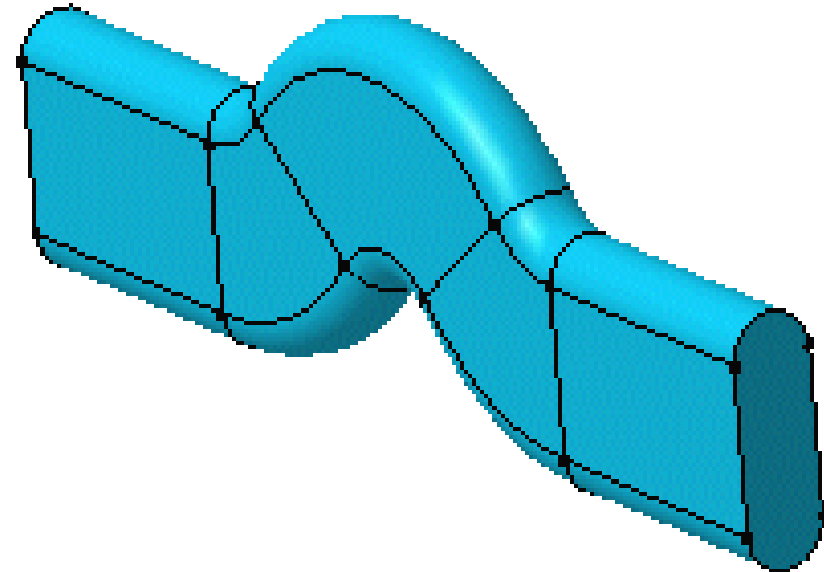
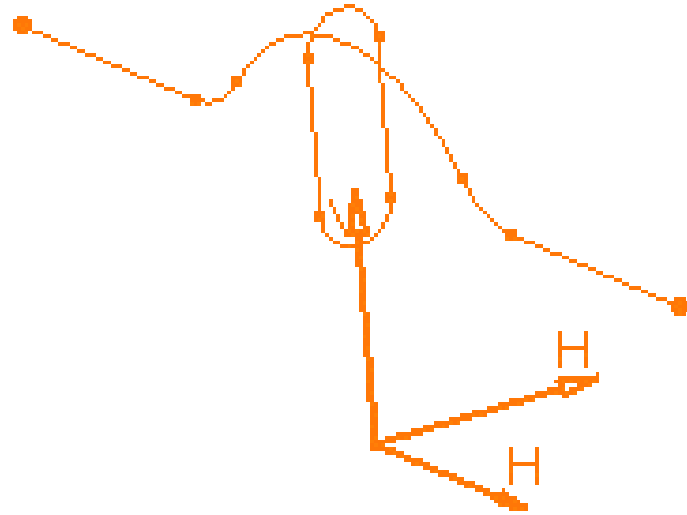


# Stiffener

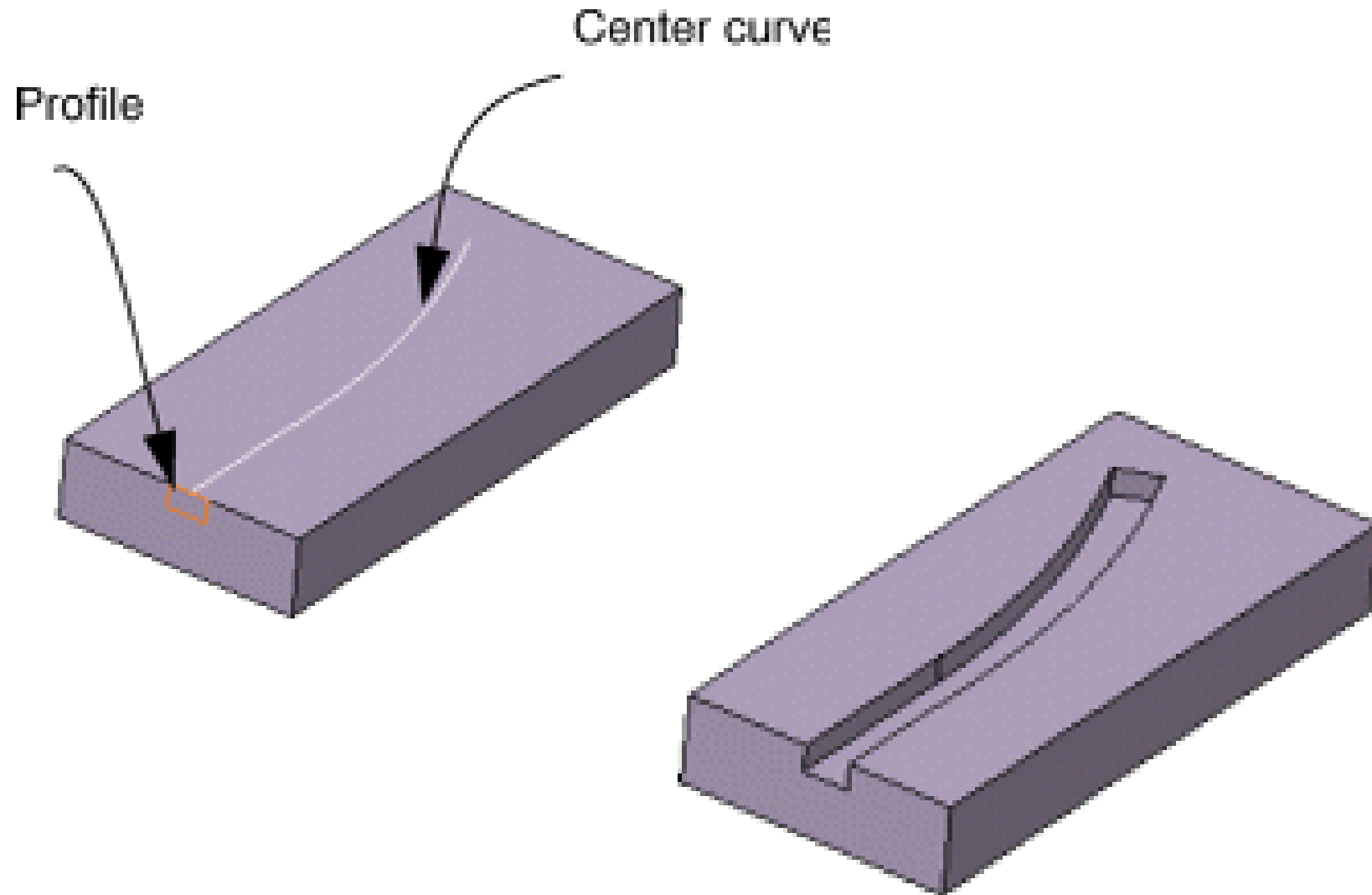




# Rib



# Slot



# Creating Hole Features

# رسم وتصميم الثقوب

لرسم وتصميم الثقوب يجب استخدام التعليمات التالية :

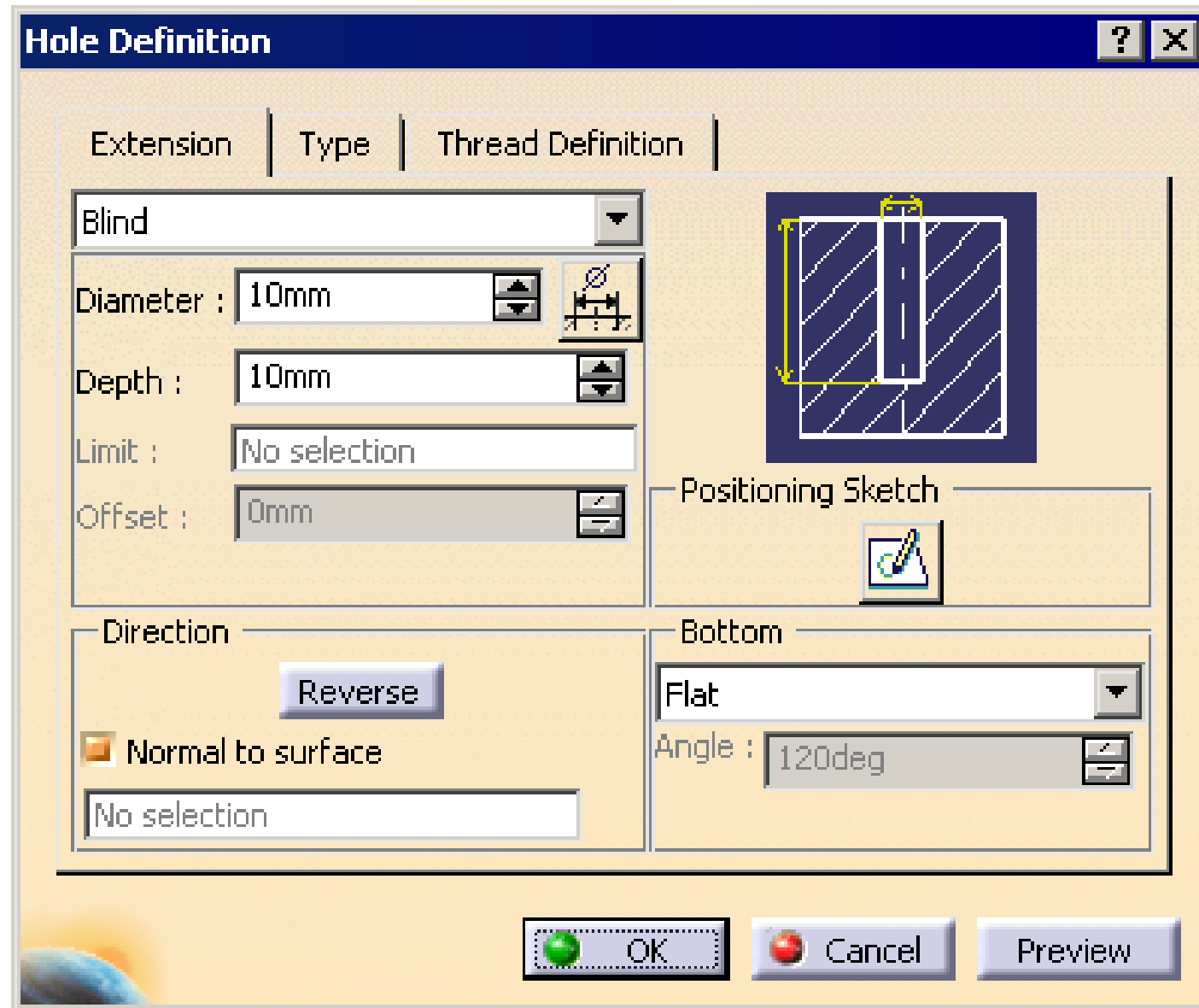
Menu: Insert > Sketch-Based Features > Hole

Toolbar: Sketch-Based Features > Hole

## انواع الثقوب

You can create a simple hole, a tapered hole, a counterbored hole, a countersunk hole, and a counterdrilled hole using the Hole tool. You can also provide threads in the holes. The **Hole Definition** dialog box is shown in Figure



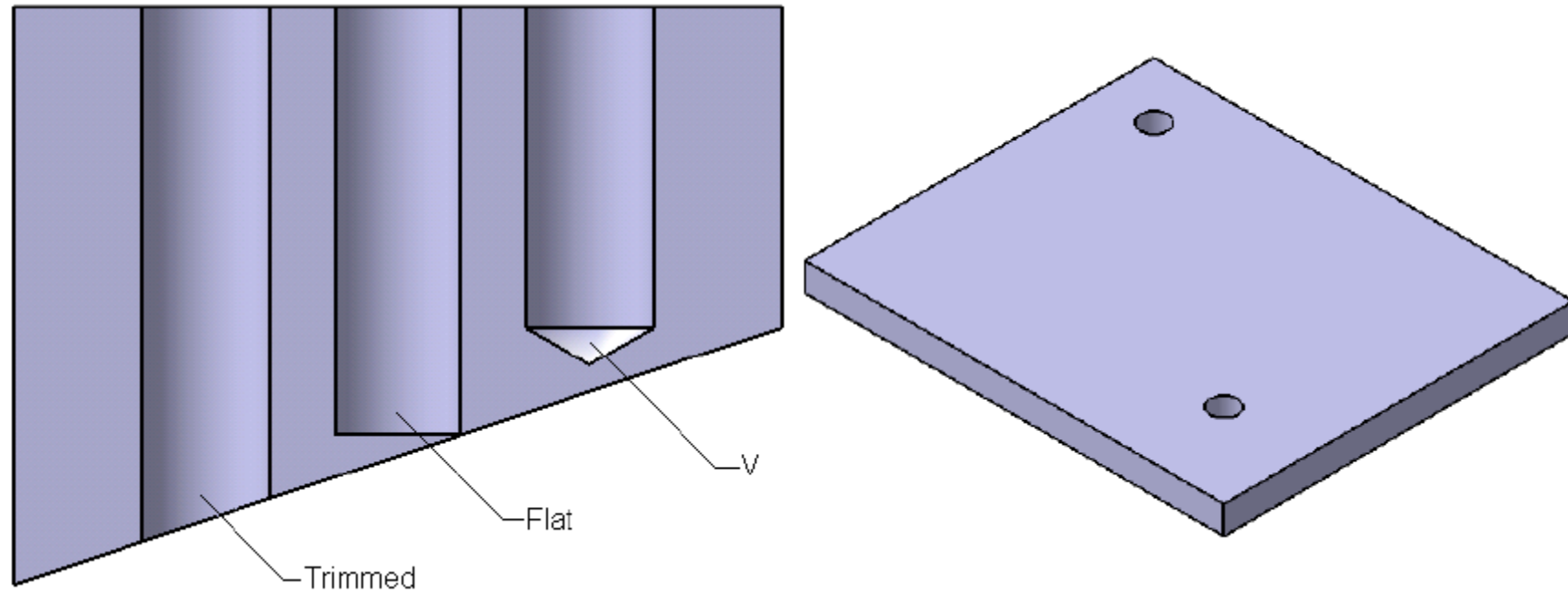


# Creating a Simple Hole

Invoke the **Type** tab; the **Simple** option is selected in its drop-down list.

Therefore, a simple hole will be created using the current option.

Now, invoke the **Extension** tab



# Creating a Threaded Simple Hole

To create the threaded hole, invoke the **Thread Definition** tab from the **Hole**

## Definition

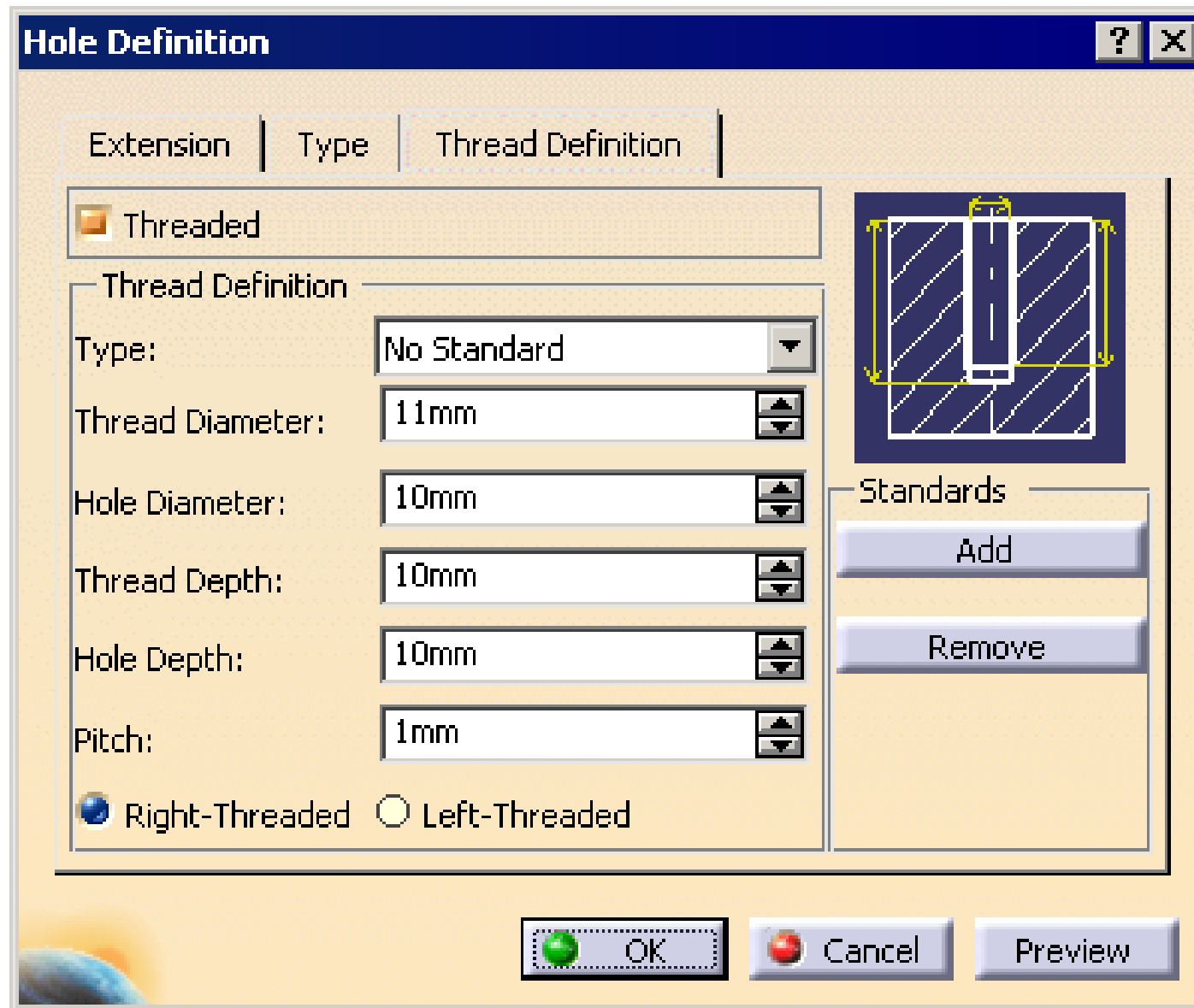
dialog box. By default, the **Threaded** radio button is cleared. Select the

## Threaded radio

button to invoke the options available in the **Thread Definition** tab, as shown

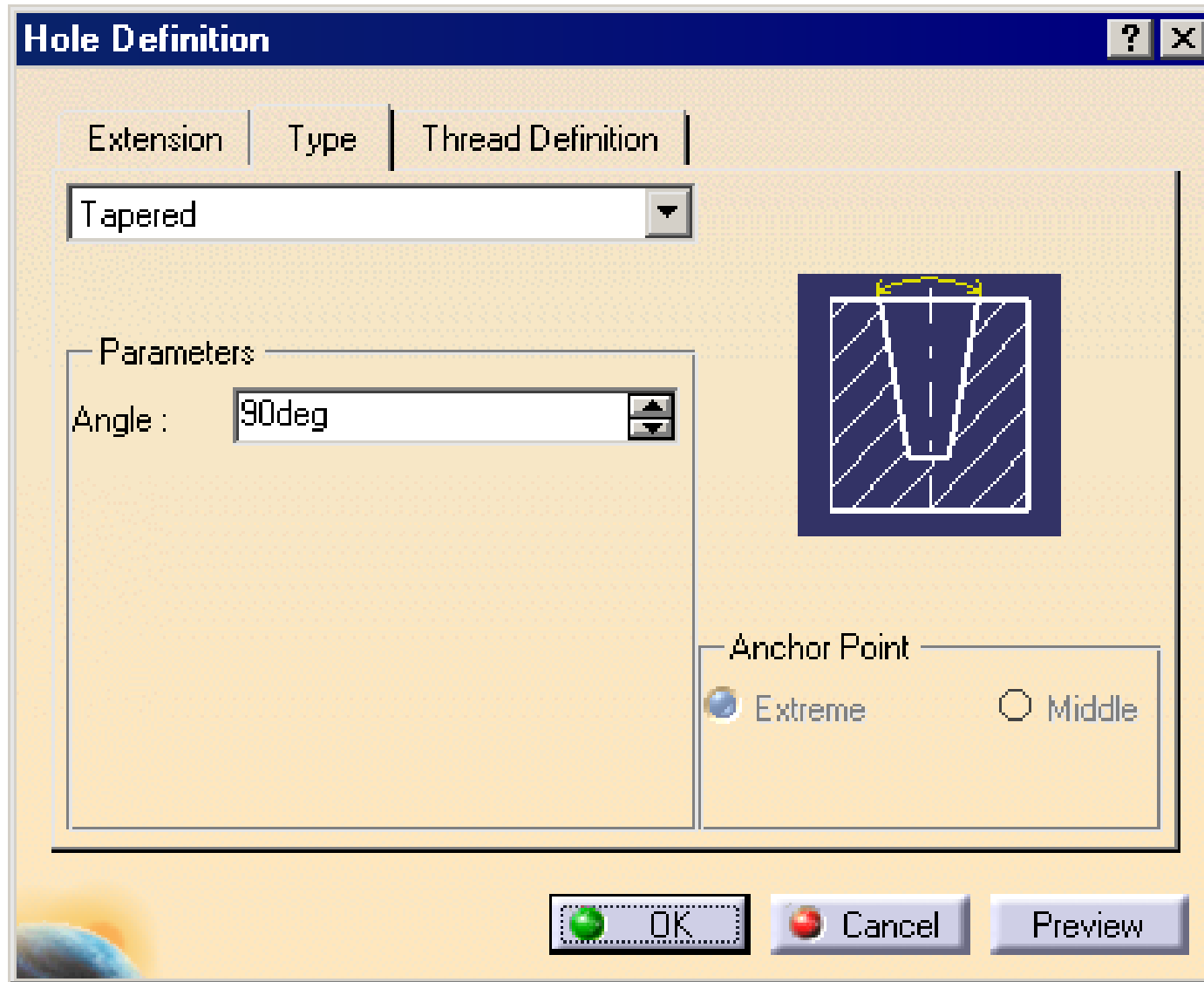
in Figure





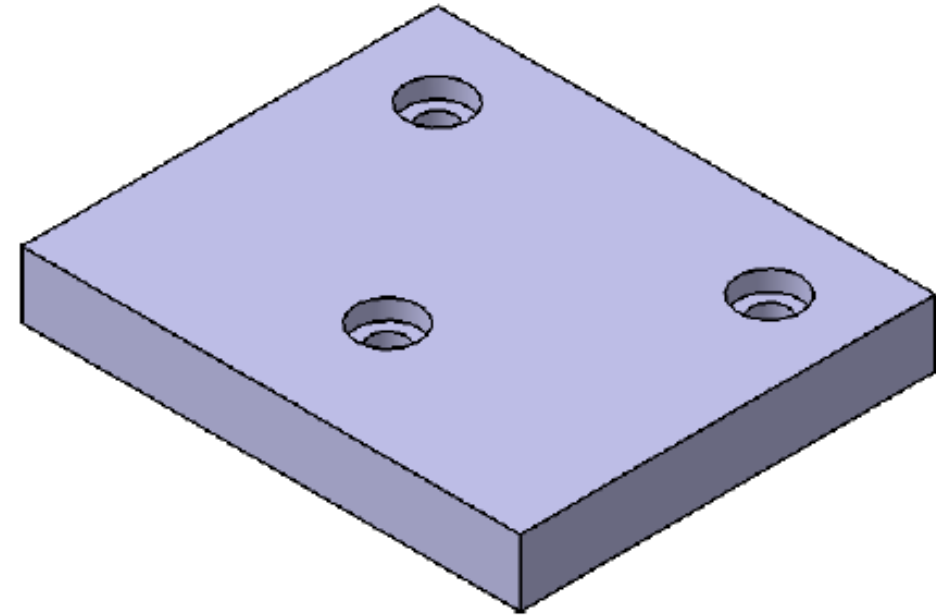
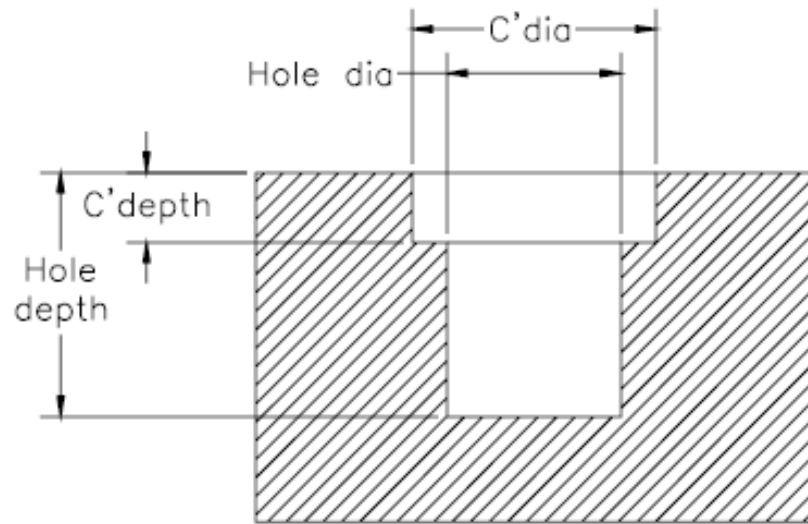
# Creating a Tapered Hole

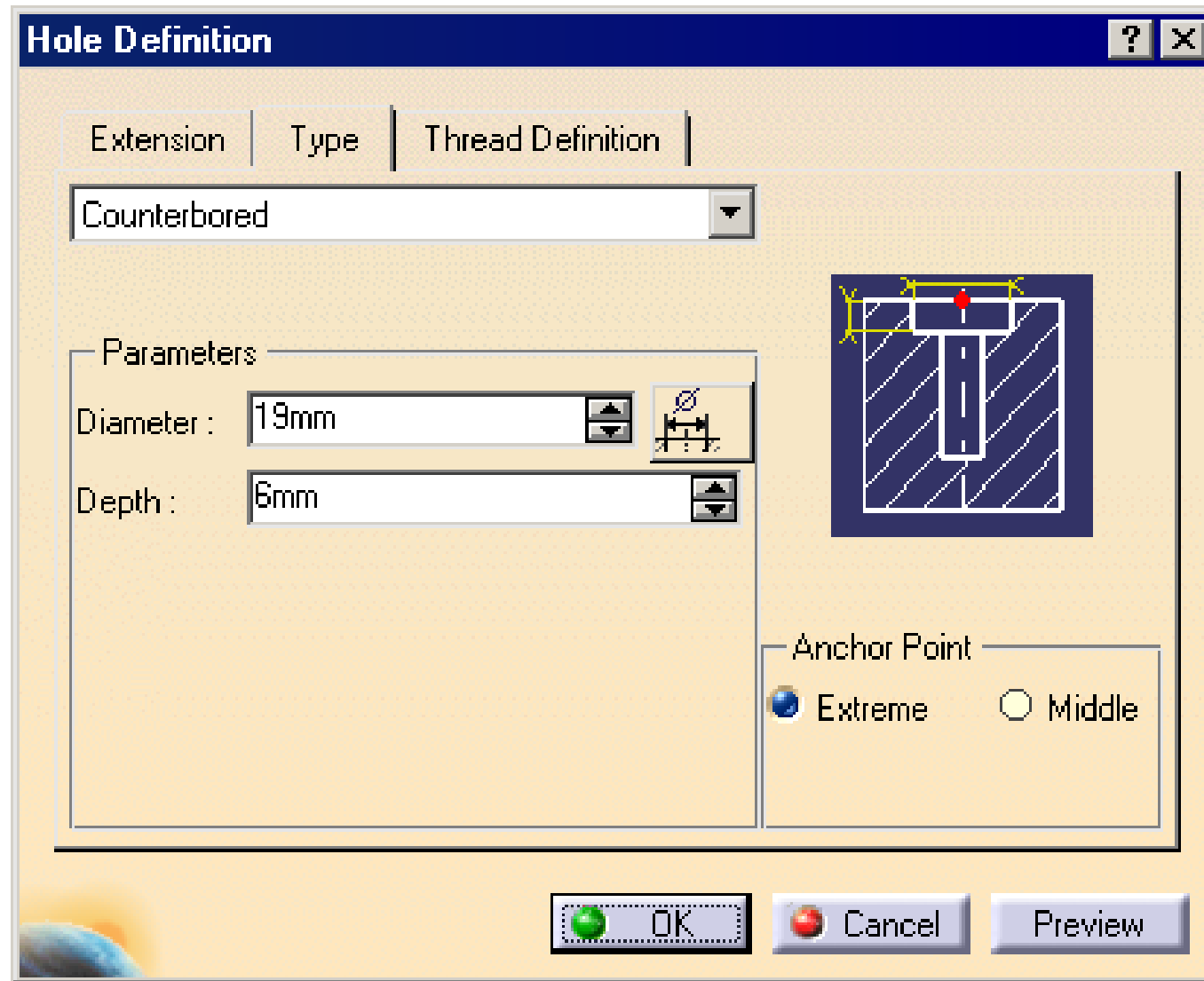
To create a tapered hole, invoke the **Type** tab of the **Hole Definition** dialog box and select the **Tapered** option from the drop-down list. Specify the taper angle in the **Angle** spinner available in the **Parameters** area,



# Creating a Counterbored Hole

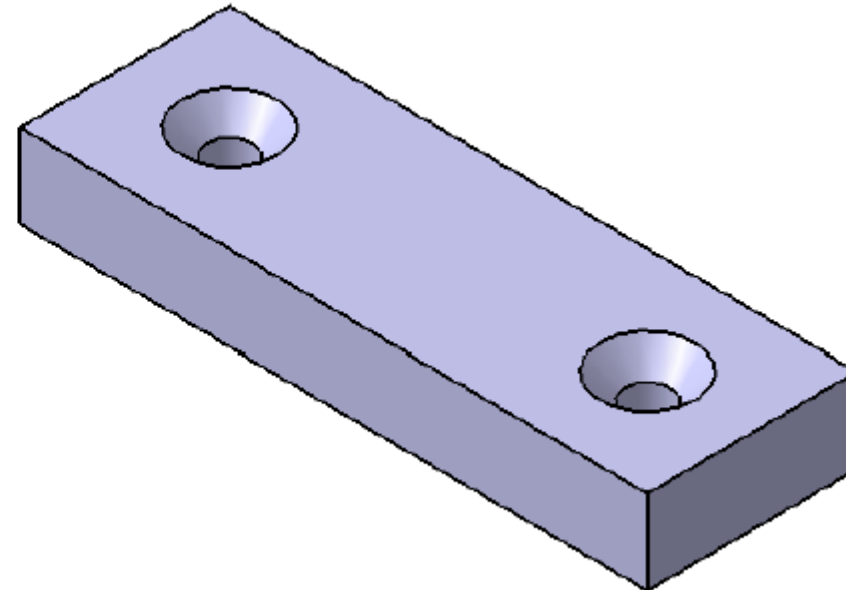
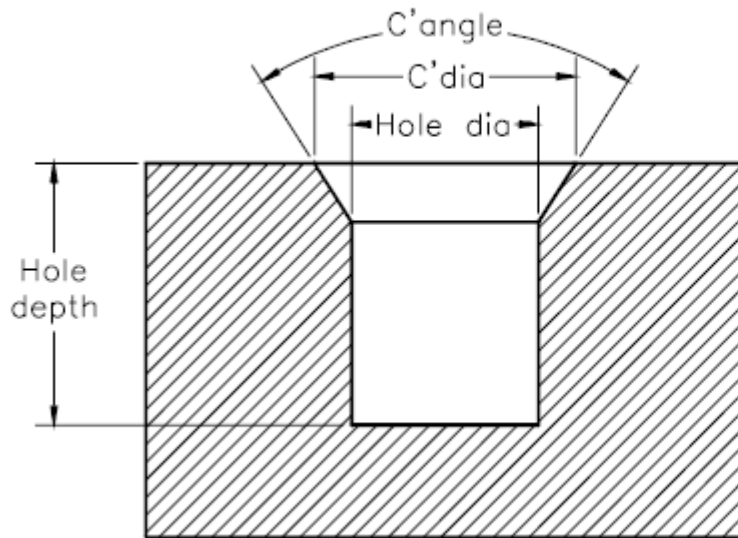
To create a counterbored hole, select the **Counterbored** option from the drop-down list available in the **Type** tab of the **Hole Definition** dialog box. A preview of counterbored hole is displayed in the geometry area. You can set the value of the counter diameter by using the **Diameter** spinner available in the **Parameters** area.

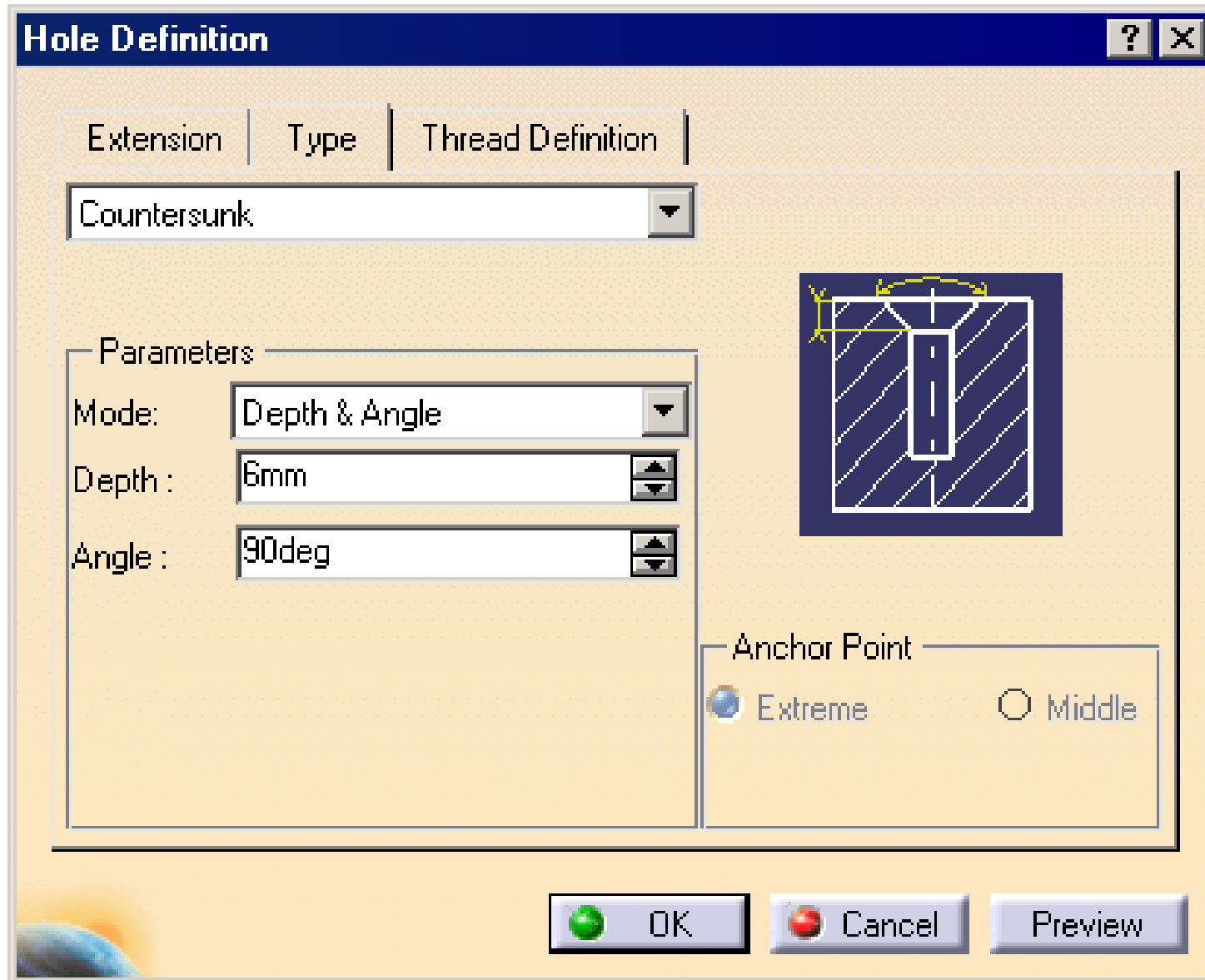




# Creating a Countersunk Hole

To create a countersunk hole, select the **Countersunk** option from the drop-down list available in the **Type** tab







# Creating the Counterdrilled

