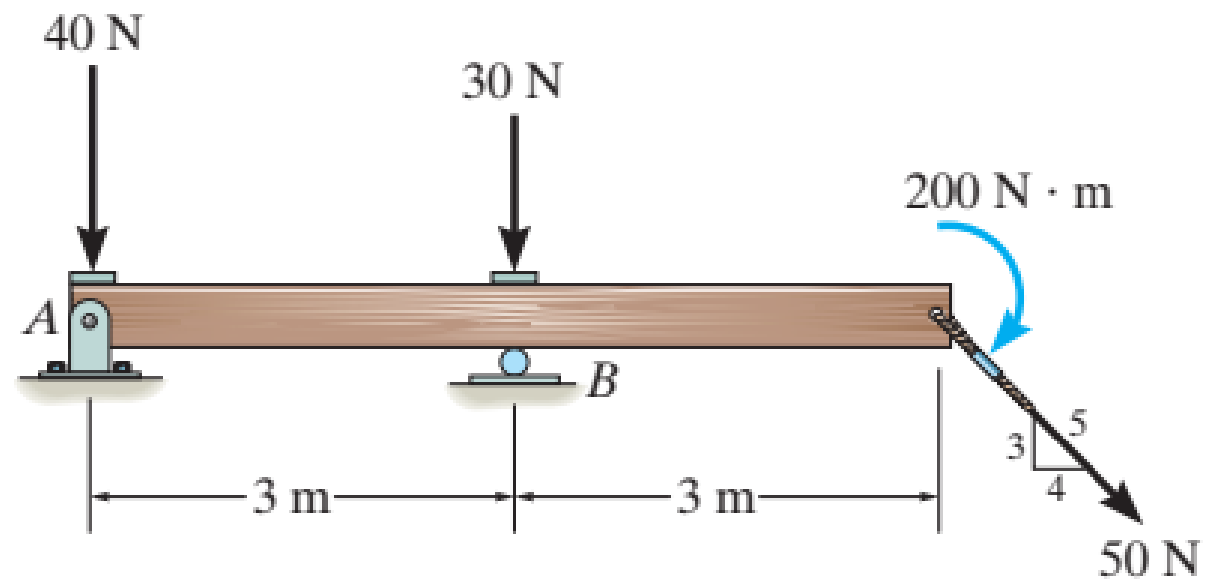
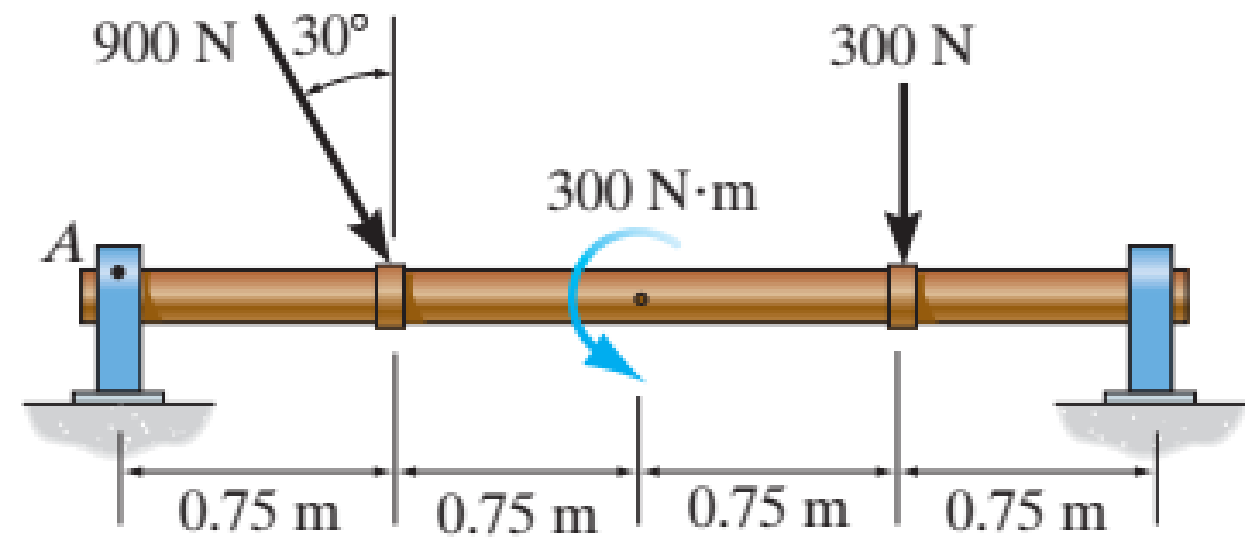


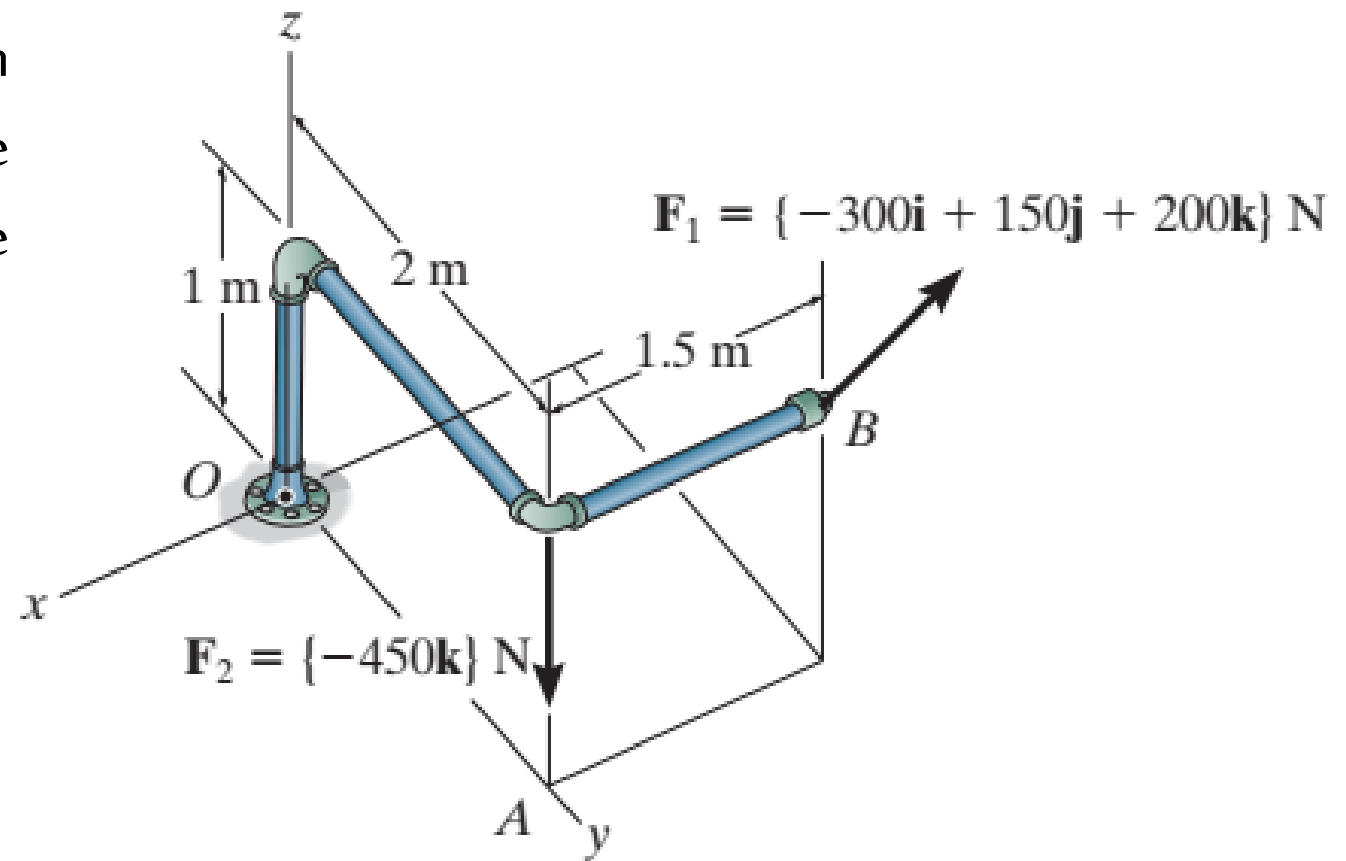
Ex. 1. Replace the loading system by an equivalent resultant force and couple moment acting at point A .



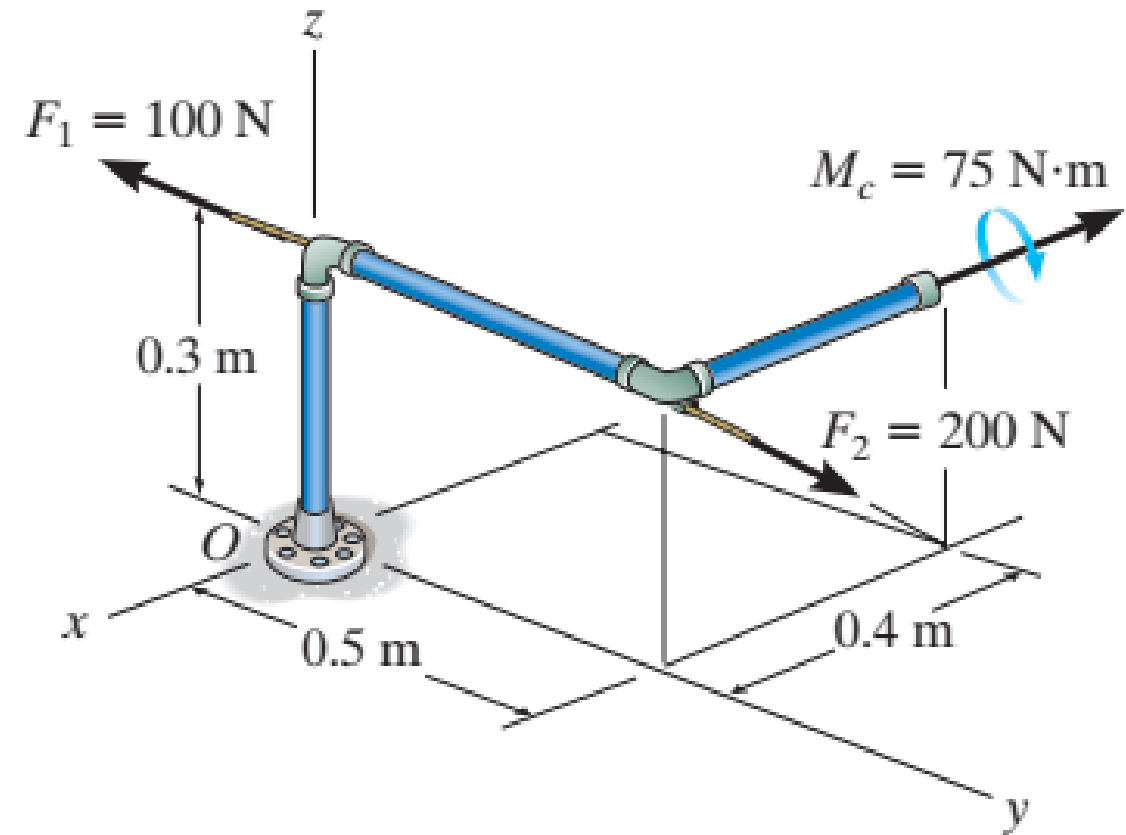
Ex. 2. Replace the loading system by an equivalent resultant force and couple moment acting at point A .



Ex. 3. Replace the loading system by an equivalent resultant force and couple moment acting at point O . Express the results in Cartesian vector form.



Ex. 4. Replace the loading system by an equivalent resultant force and couple moment acting at point O . Express the results in Cartesian vector form.



Ex. 5. Replace the two forces acting on the post by a resultant force and couple moment at point O . Express the results in Cartesian vector form.

